

# 15 SERIES

## Spin-On Filter Head



### FILTRATION PRODUCTS CORP.

**(763) 428-6415**

Fax: (763) 428-8659

18151 Territorial Road

Dayton, MN 55369

[www.filtrationproducts.com](http://www.filtrationproducts.com)

### SPECIFICATIONS

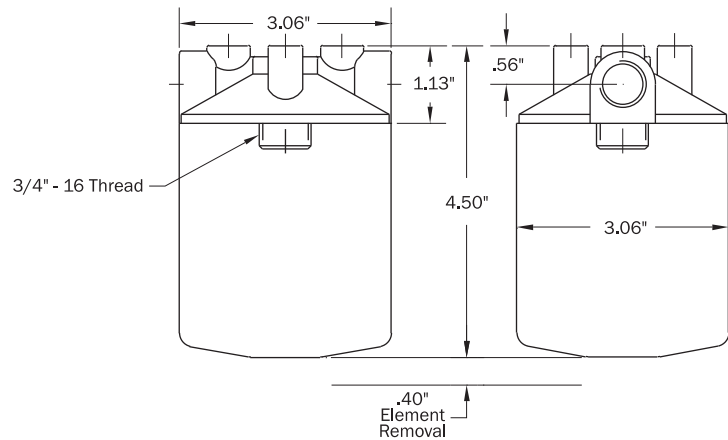
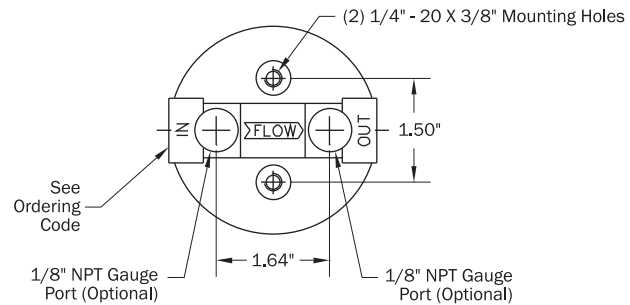
<b>Port Sizes</b>	1/4", 3/8" NPT and SAE 6
<b>Working Pressure</b>	200 PSI (13.7 BAR) Maximum
<b>Flow Capacity</b>	7 GPM (Return), 2 GPM (Suction)
<b>Operating Temperature</b>	225 °F (107 °C) Maximum
<b>Shipping Weight</b>	.24 lbs
<b>Fluid Compatibility</b>	Petroleum based oils, high water based fluids, water glycols and oil/water emulsions
<b>Port Size</b>	3/4" - 16 SAE

# 15 SERIES

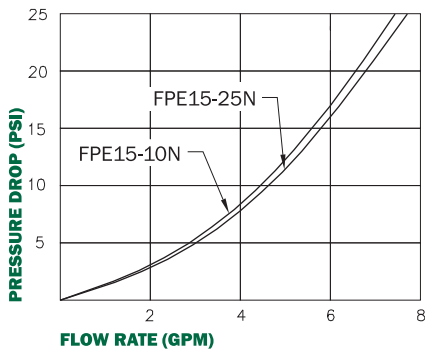


## Spin-On Filter Head

### DIMENSIONS

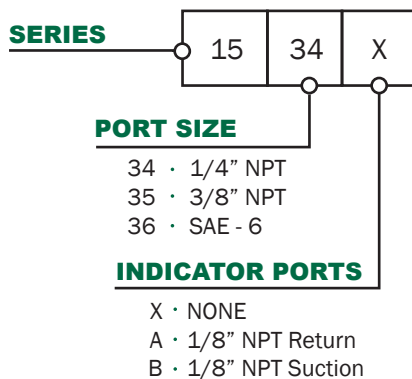


### PRESSURE DROP



Clean element pressure drop using 150 SSU oil at 100° F.

### ORDERING CODE



### FILTER ELEMENTS

(ORDERED SEPARATELY)

PART NUMBER	MICRON RATING	BY-PASS	AVG. BETA
FPE15-10N	10	None	2
FPE15-10N-18	10	18 PSI	2
FPE15-25N	25	None	2

- Other micron and by-pass configurations are available.
- 200 PSI maximum operating pressure. (80 PSI maximum without by-pass).
- Operating temperature to 225° F (107° C).
- Petroleum based fluids only.

Note: Do not use these filter elements on internal combustion engines