

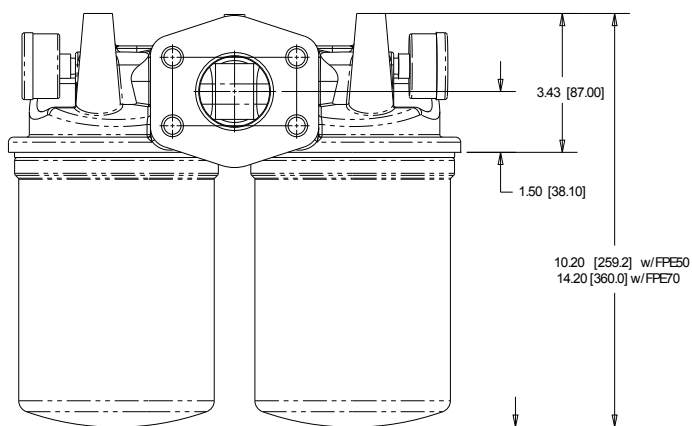
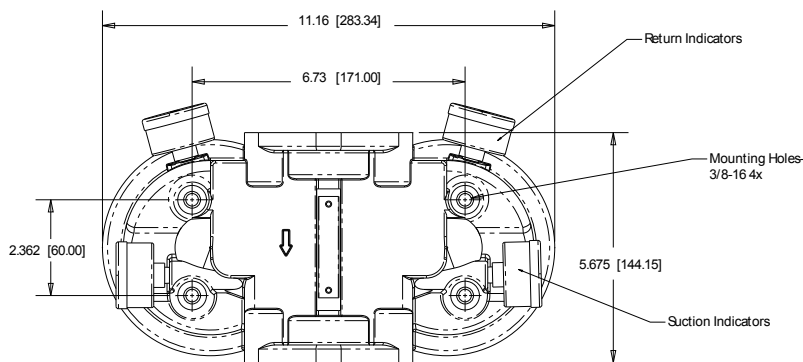
# 100 SERIES

## Dual Spin-On Filter Head



### SPECIFICATIONS

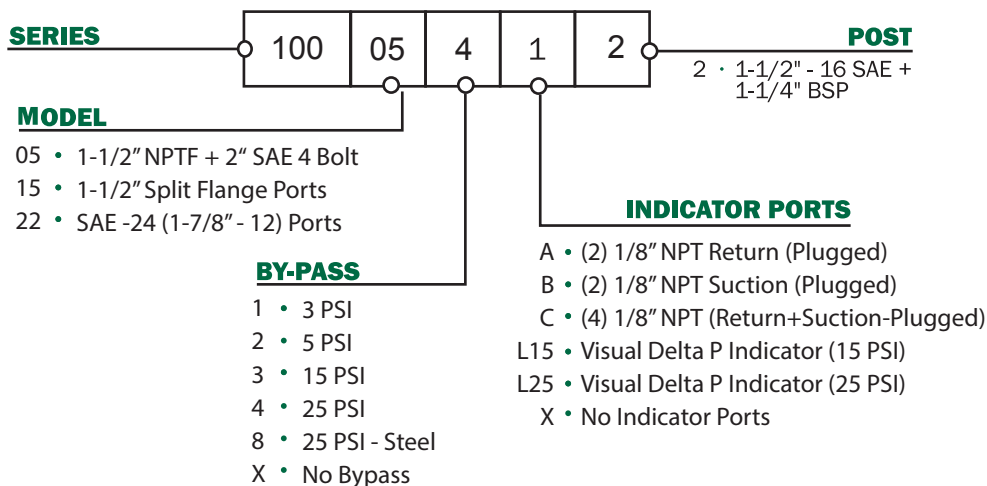
<b>Working Pressure</b>	140 PSI (10 BAR) Maximum 75 PSI Maximum without bypass
<b>Flow Capacity</b>	80 GPM (300 LPM)
<b>Operating Temperature</b>	225°F (107°C) Maximum
<b>Shipping Weight</b>	6 lbs
<b>Fluid Compatibility</b>	Petroleum based oils, high water based fluids, water glycols and oil/water emulsions.
<b>By-Pass Valve Cracking Pressure</b>	All sizes +/-10% of setting
<b>Post Size</b>	1-1/4" BSPP & 1-1/2" UNF



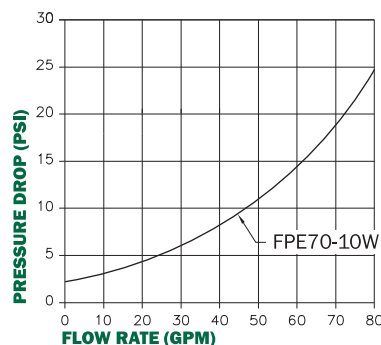
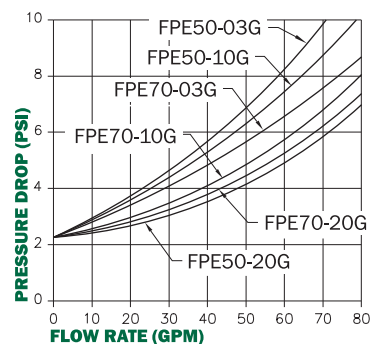
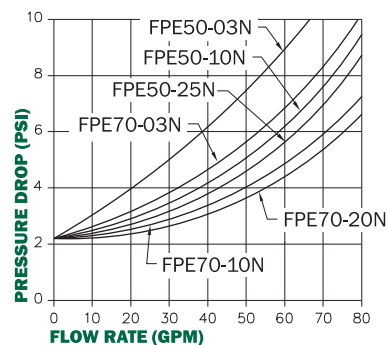
Dimensional units: inches[millimeter]

## DIMENSIONS

## ORDERING CODE



## PRESSURE DROP



Clean element pressure drop using 150 SSU oil at 100°F.

## ACCESSORIES

SEE ACCESSORY SECTION OF THIS CATALOG

### GAUGES

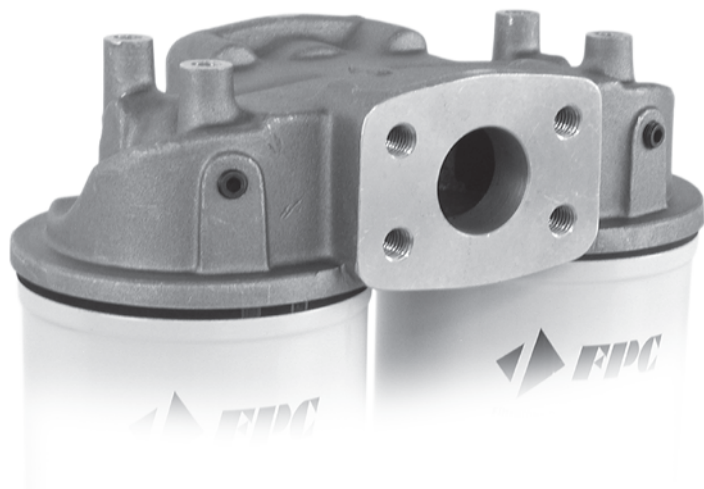
- P77-7003**  
0-60 PSI Gauge (Indication at 15 PSI)
- P77-7004**  
0-60 PSI Gauge (Indication at 25 PSI)
- P77-7021**  
0-30" Hg Vacuum Gauge

### SWITCHES

- P77-7006**  
Electrical (with 12") wire leads  
Set point (rising) 22 PSI
- P77-7005**  
Electrical (with DIN 43650 connector)  
Set Point (rising) 22 PSI

# 100 SERIES

## Dual Spin-On Filter Head



### STANDARD MODEL

MODEL NUMBER	PORT SIZE	BY-PASS	INDICATOR PORTS	POST SIZE
10005312	1-1/2" NPT + 2" SAE Split Flange	25 PSI	Return (2) 1/8" NPT	1-1/2" - 16, 1-1/4 BSPP

### FILTER ELEMENTS

PART NUMBER	ELEMENT LENGTH	RATING B(x)=2/20/75	AREA (Sq. In.)	MEDIA TYPE
FPE50-03N	7"	1μ/8μ/12μ	850	Cellulose
FPE70-03N	11"	1μ/8μ/12μ	1530	Cellulose
FPE50-10N	7"	14μ/28μ/36μ	664	Cellulose
FPE70-10N	11"	14μ/28μ/36μ	1227	Cellulose
FPE50-25N	7"	16μ/35μ/47μ	568	Cellulose
FPE70-25N	11"	16μ/35μ/47μ	1052	Cellulose
FPE70-10W	11"	10μ/18μ/ -	648	Water Removal
FPE50-03G	7"	1.5μ/2.5μ/3μ	490	Microglass
FPE70-03G	11"	1.5μ/2.5μ/3μ	882	Microglass
FPE50-10G	7"	2μ/7μ/12μ	490	Microglass
FPE70-10G	11"	2μ/7μ/12μ	882	Microglass
FPE50-20G	7"	7μ/16μ/23μ	490	Microglass
FPE70-20G	11"	7μ/16μ/23μ	882	Microglass
FPE50-100M	7"	149μ	213	Wire Mesh
FPE70-100M	11"	149μ	365	Wire Mesh



## **FILTRATION PRODUCTS CORP.**

**(763) 428-6415**

Fax: (763) 428-8659

18151 Territorial Road

Dayton, MN 55369

[www.filtrationproducts.com](http://www.filtrationproducts.com)