

# P77-8099/8100

## Reservoir Air Breather Adapters



**FILTRATION  
PRODUCTS  
CORP.**

**(763) 428-6415**

Fax: (763) 428-8659  
18151 Territorial Road  
Dayton, MN 55369  
[www.filtrationproducts.com](http://www.filtrationproducts.com)

### FEATURES

Cast aluminum construction

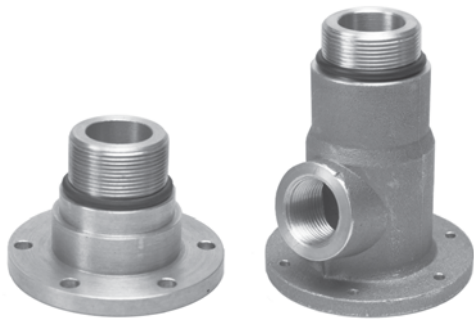
Gasket seal between base and reservoir

3/4" SAE O-Ring fluid filler port on P77-8099

Includes seals and mounting hardware

# P77-8099/8100

## Reservoir Air Breather Adapters

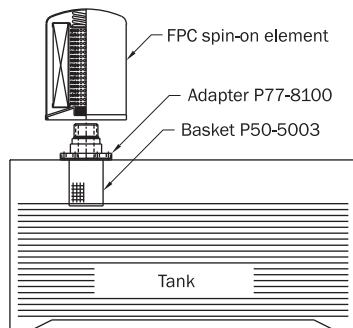
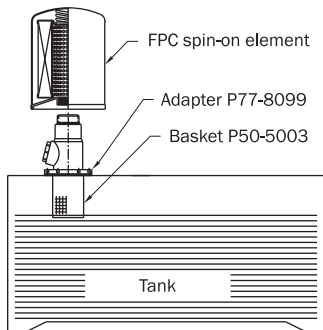


**P77-8100**

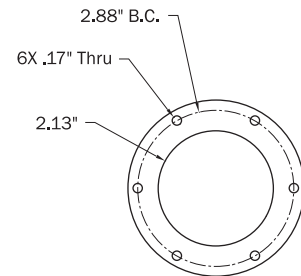
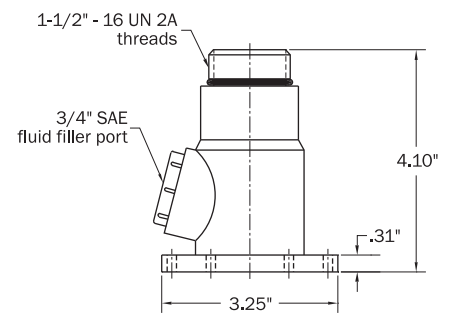
**P77-8099**

### DIMENSIONS

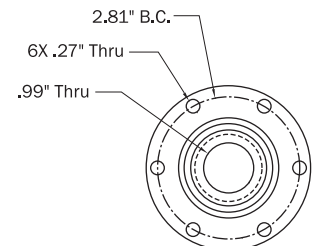
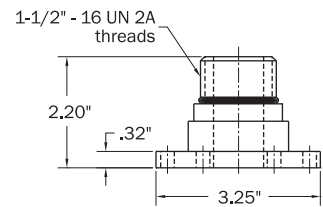
### APPLICATIONS



**P77-8099**



**P77-8100**



### ELEMENT OPTIONS

ELEMENT PART NUMBER	MICRON RATING	LENGTH X DIAMETER
FPE50-03N	3	6.33" X 5.00"
FPE50-10N	10	6.33" X 5.00"
FPE50-25N	25	6.33" X 5.00"