

# WHC SERIES

## Weld Flanges Half Couple



**FILTRATION  
PRODUCTS  
CORP.**

**(763) 428-6415**

Fax: (763) 428-8659  
18151 Territorial Road  
Dayton, MN 55369  
[www.filtrationproducts.com](http://www.filtrationproducts.com)

### FEATURES

---

Standard: Low Carbon Steel With A Maximum CE (Carbon Equivalent) Of 0.45

---

Optional: 6061-T651 Aluminum or 316L Stainless Steel

---

Stock Items Are Noted In The Table

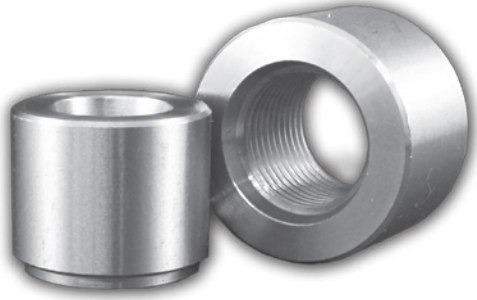
---

Zinc Phosphate Coating Available For Steel Version

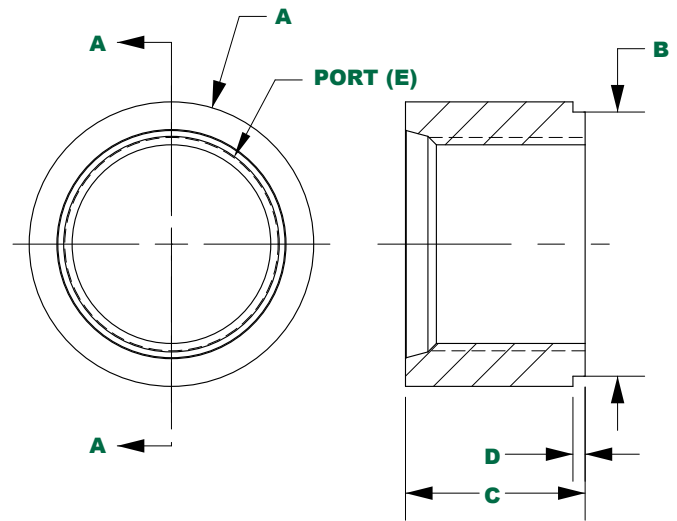
---

# WHC SERIES

## Weld Flanges Half Couple



### DIMENSIONS



### ORDERING CODE



**PORT**

- 04 · 7/16"-20
- 06 · 9/16"-18
- 08 · 3/4"-16
- 10 · 7/8"-14
- 12 · 1-1/16"-12
- 14 · 1-3/16"-12
- 16 · 1-5/16"-12
- 20 · 1-5/8"-12
- 24 · 1-7/8"-12
- 32 · 2-1/2"-12
- 48 · 3-3/8"-12

**MATERIAL**

- Blank · Low Carbon Steel
- SS · Stainless Steel
- A · Aluminum

### SPECIFICATIONS

PART NUMBER	STOCK	DIMENSIONS				PORT E	WEIGHT (LBS)
		A	B	C	D		
WHC-04		0.88"	0.750"	0.83"	0.08"	7/16"-20	0.11"
WHC-06	X	1.00"	0.875"	0.83"	0.08"	9/16"-18	0.13"
WHC-08	X	1.25"	1.125"	0.83"	0.08"	3/4"-16	0.23"
WHC-10		1.38"	1.250"	0.83"	0.08"	7/8"-14	0.22"
WHC-12		1.50"	1.375"	1.11"	0.08"	1-1/16"-12	0.31"
WHC-14		1.63"	1.500"	1.08"	0.08"	1-3/16"-12	0.33"
WHC-16		1.75"	1.625"	1.11"	0.08"	1-5/16"-12	0.37"
WHC-20		2.25"	2.125"	1.11"	0.08"	1-5/8"-12	0.64"
WHC-24	X	2.75"	2.500"	1.11"	0.08"	1-7/8"-12	1.04"
WHC-32	X	3.25"	3.000"	1.33"	0.08"	2-1/2"-12	1.35"
WHC-48		4.40"	4.000"	2.08"	0.08"	3-3/8"-12	3.88"

\* Port E - O-Ring Boss Port Per SAE J1926 except for WHC-48