

WFCF SERIES

Weld Flanges



**FILTRATION
PRODUCTS
CORP.**

(763) 428-6415

Fax: (763) 428-8659

18151 Territorial Road

Dayton, MN 55369

www.filtrationproducts.com

FEATURES

Low Carbon Steel With A Maximum CE (Carbon Equivalent) Of 0.45

Design Offers Minimum Welding Distortion

Pilot Minimizes Installation Fixturing

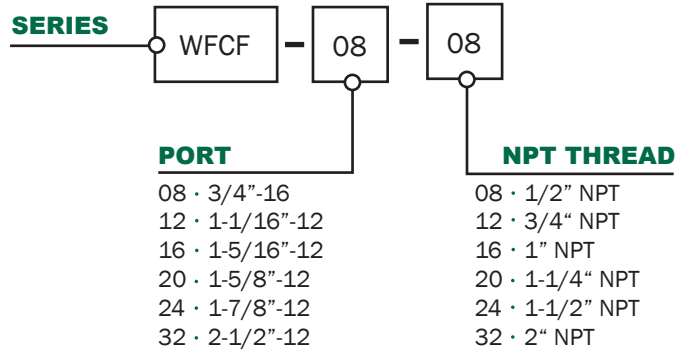
Zinc Phosphate Coating Available

WFCF SERIES

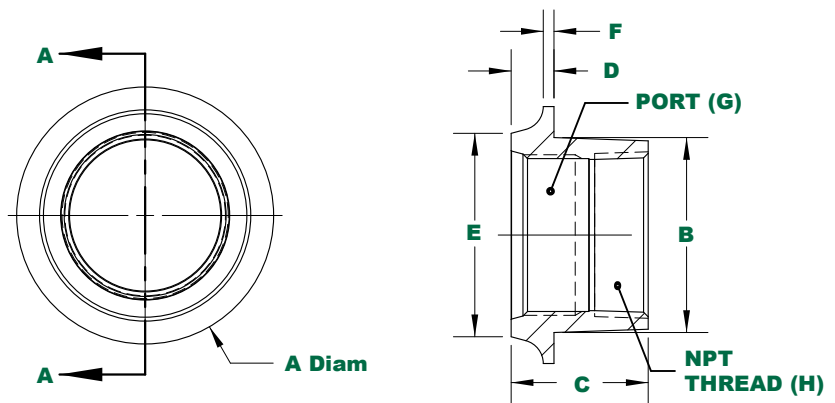
Weld Flanges



ORDERING CODE



DIMENSIONS



SPECIFICATIONS

PART NUMBER	DIMENSIONS						PORT G	NPT THREAD H
	A	B	C	D	E	F		
WFCF-08-08	1.50"	1.107"	1.00"	0.31"	1.00"	0.13"	3/4"-16	1/2"
WFCF-12-12	2.13"	1.363"	1.31"	0.44"	1.44"	0.13"	1-1/16"-12	3/4"
WFCF-16-16	2.38"	1.661"	1.50"	0.50"	1.75"	0.13"	1-5/16"-12	1"
WFCF-20-20	2.69"	2.027"	1.60"	0.50"	2.13"	0.13"	1-5/8"-12	1-1/4"
WFCF-24-24	3.00"	2.276"	1.60"	0.50"	2.38"	0.13"	1-7/8"-12	1-1/2"
WFCF-32-32	3.50"	2.769"	1.72"	0.60"	2.90"	0.13"	2-1/2"-12	2"

NOTE: Check with factory for availability