

ABT/ABF SERIES

Filler Breather Heavy Duty



ABF

FILTRATION PRODUCTS CORP.

(763) 428-6415

Fax: (763) 428-8659

18151 Territorial Road

Dayton, MN 55369

www.filtrationproducts.com

FP-3309-99

FEATURES

Sturdy aluminum die cast construction

Filtration S.S. 100 Mesh standard

For rugged applications

Steel mesh basket

Gasket and mounting hardware supplied

Optional splash guard to minimize spillage

ABT/ABF SERIES



ABT

Filler Breather Heavy Duty

ORDERING CODE

MODEL

ABT · Threaded style
ABF · Flange style

SIZE

10 · 1-1/4"

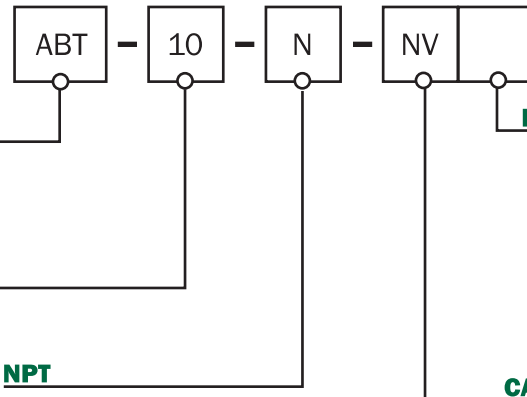
NPT

BASKET OPTIONS

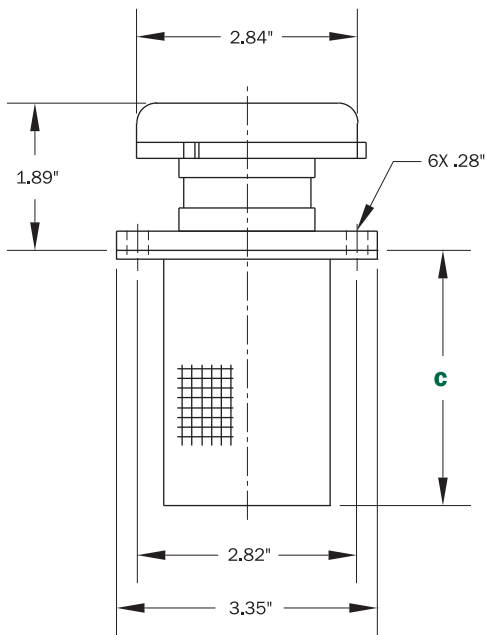
(ABF only)
OMIT · 3" long (standard)
L6 · 6" long
L8 · 8" long

CAP OPTIONS

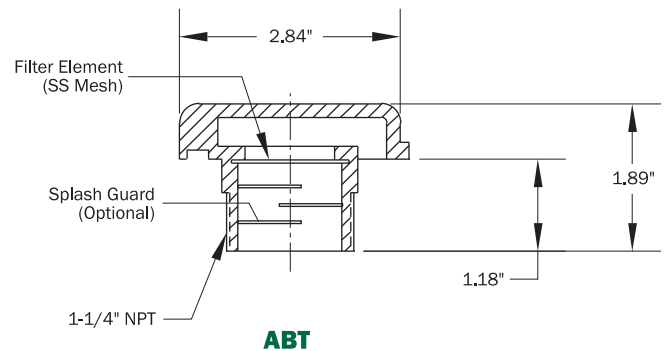
X · None
NV · Non-Venting
SG · Splash Guard



DIMENSIONS



ABF



ABT