

FBA SERIES

Filler Breather Bayonet Style



**FILTRATION
PRODUCTS
CORP.**

(763) 428-6415

Fax: (763) 428-8659
18151 Territorial Road
Dayton, MN 55369
www.filtrationproducts.com

FEATURES

Chrome plated steel cap

Air flow to 30 CFM

Compatible with petroleum and mineral based fluids

30 mech basket

Standard and pressurized models

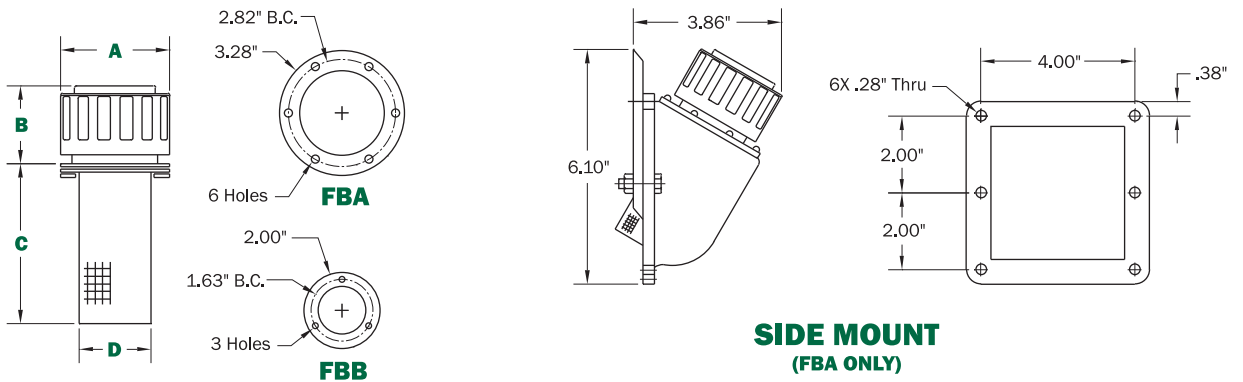
10 Micron or 40 Micron

3", 6" and 8" steel baskets

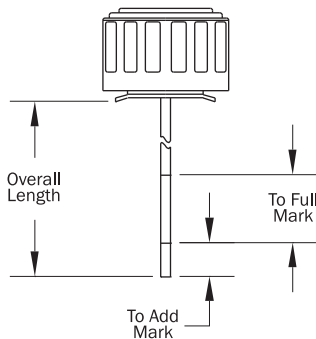
Options include: Locking tabs, dipstick,
buna gaskets, and side mount

Filler Breather Bayonet Style

DIMENSIONS

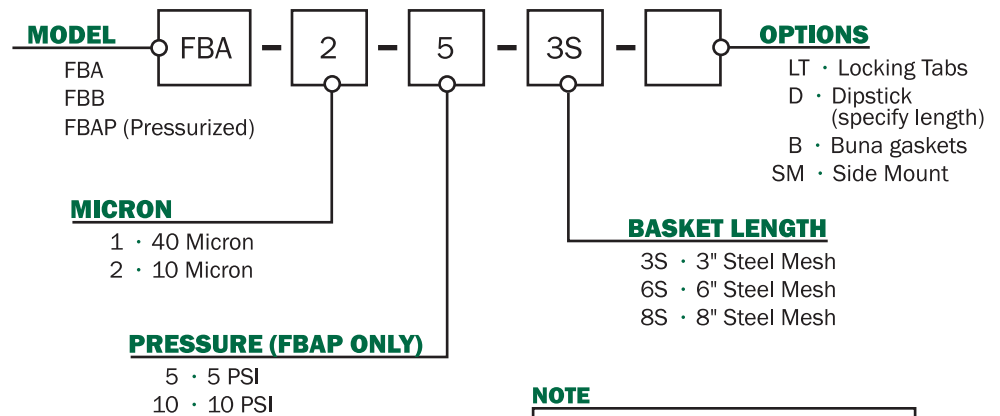


DIPSTICK (optional)



Dipsticks can be fitted to the FBA and FBAP series. Please supply drawing with lengths shown above. Dipsticks will be marked full and add.

ORDERING CODE



NOTE

FBB only available with 2-1/2" steel basket. Not available pressurized.

SPECIFICATIONS

PART NUMBER	MICRON RATING	DISPLACEMENT (GPM)	AIRFLOW (CFM)	DIMENSIONS				SCREWS
				A	B	C	D	
FBA-1	40	192	30	3.0"	2.4"	3.6"	1.9"	(6) 10-32
FBA-2	10	115	25	3.0"	2.4"	3.6"	1.9"	(6) 10-32
FBB-1	40	40	5	1.8"	1.9"	2.6"	1.1"	(3) 10-32
FBB-2	10	24	5	1.8"	1.9"	2.6"	1.1"	(3) 10-32