

TMST SERIES

Tank Strainer O-Ring Thread Style



**FILTRATION
PRODUCTS
CORP.**

(763) 428-6415

Fax: (763) 428-8659
18151 Territorial Road
Dayton, MN 55369
www.filtrationproducts.com



FEATURES

SAE O-Ring Threads For Leak Free Installation

5 Sizes Available (SAE 12, 16, 20, 24 or 32)

Buna O-Ring Standard

Zinc Plated Steel Nut Cap, End Cap & Center Tube

Weld Flanges Available (See TWF Series)

Stainless Steel 100 Mesh (149m) Standard

30, 60 or 200 Mesh Optional

3 PSI By-Pass Available

Flows Rated At 5 FPS Through Customer Fitting

Compatible With Petroleum and Mineral Based Fluids

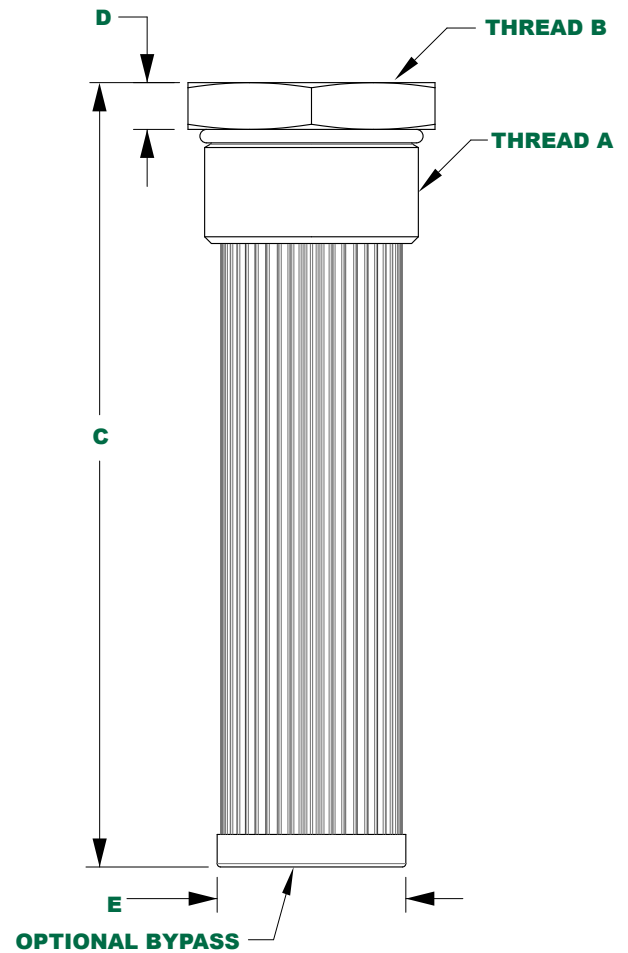
Temperature to 212° F



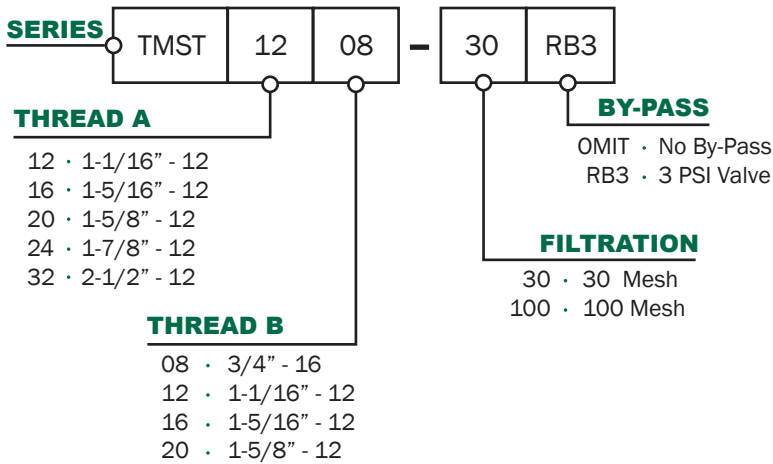
TMST SERIES

Tank Strainer O-Ring Thread Style

DIMENSIONS



ORDERING CODE



SPECIFICATIONS

MODEL	SAE	SAE	DIMENSIONS				GPM	MESH AREA (Sq. In.)
	J1926/3 A	J1926/1 B	C	D	E	HEX		
TMST1208	1-1/16"-12	3/4"-16	5.25"	0.412"	0.94"	1.25"	1.9	48
TMST1608	1-5/16"-12	3/4"-16	5.25"	0.412"	1.12"	1.50"	1.9	48
TMST2012	1-5/8"-12	1-1/16"-12	7.88"	0.406"	1.42"	1.81"	4.6	78
TMST2416	1-7/8"-12	1-5/16"-12	8.30"	0.410"	1.65"	2.17"	8.4	85
TMST2420	1-7/8"-12	1-5/8"-12	8.30"	0.410"	1.65"	2.17"	13.8	90
TMST3220	2-1/2"-12	1-5/8"-12	7.99"	0.295"	2.13"	2.76"	14.4	98