

# TMSS SERIES

## Tank Strainer O-Ring Thread Style



**FILTRATION  
PRODUCTS  
CORP.**

**(763) 428-6415**

Fax: (763) 428-8659  
18151 Territorial Road  
Dayton, MN 55369  
[www.filtrationproducts.com](http://www.filtrationproducts.com)

FP-08833-99

### FEATURES

---

SAE O-Ring threads for leak free installation

---

4 sizes available (SAE 16, 20, 24, or 32)

---

Buna O-Ring Standard

---

Weld flanges available (see TWF Series)

---

100 Mesh (149 Micron) standard

---

3 or 5 PSI by-pass available

---

To 40 GPM

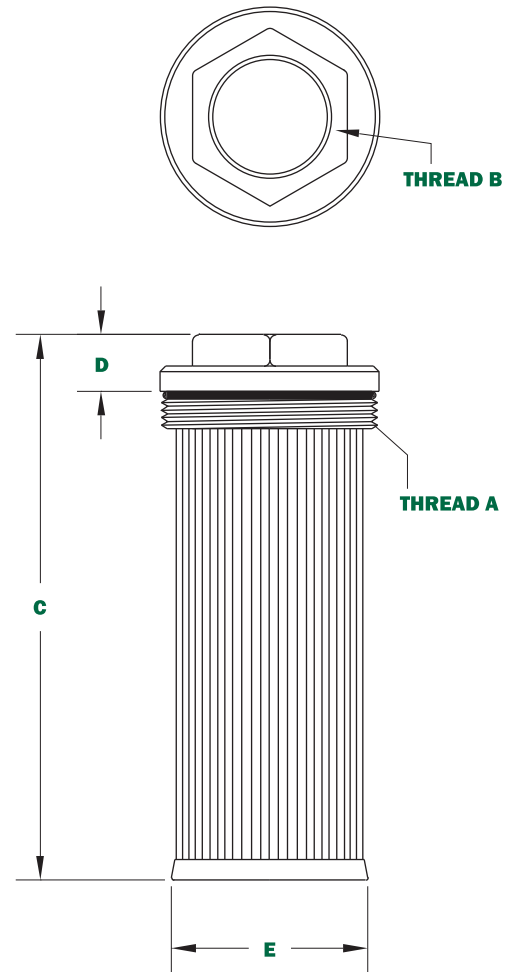
---

# TMSS SERIES

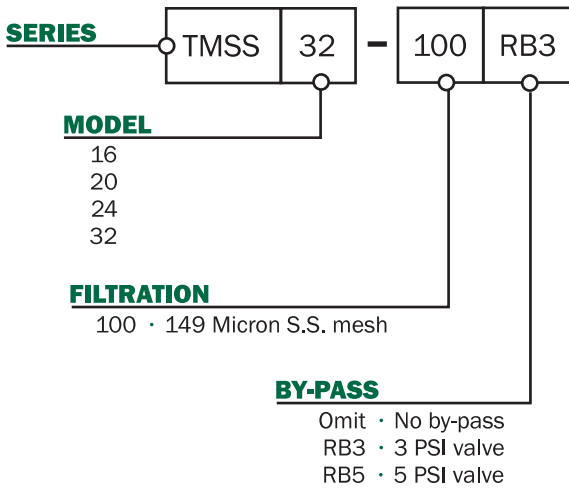
## Tank Strainer O-Ring Thread Style



### DIMENSIONS



### ORDERING CODE



### SPECIFICATIONS

MODEL NUMBER	PER SAEJ514		HEX SIZE	GPM	SCREEN AREA (Sq. In.)	DIMENSIONS		
	THD A	THD B				C	D	E
TMSS-16	2-1/2"-12	1-5/16"-12	2.13	9	90	9.00"	.75"	2.24"
TMSS-20	2-1/2"-12	1-5/8"-12	2.13	14	90	9.00"	.75"	2.24"
TMSS-24	3-3/8"-12	1-7/8"-12	2.50	21	230	8.80"	.90"	3.22"
TMSS-32	3-3/8"-12	2-1/2"-12	3.00	39	230	9.30"	.98"	3.22"