

TMS SERIES

Tank Strainer NPT Thread Style



FILTRATION PRODUCTS CORP.

(763) 428-6415

Fax: (763) 428-8659
18151 Territorial Road
Dayton, MN 55369
www.filtrationproducts.com

FP-01033-99

FEATURES

Tank mounted strainer

5 PSI by-pass available

Flows to 100 GPM (378 LPM)

100 Mesh (149 Micron) standard

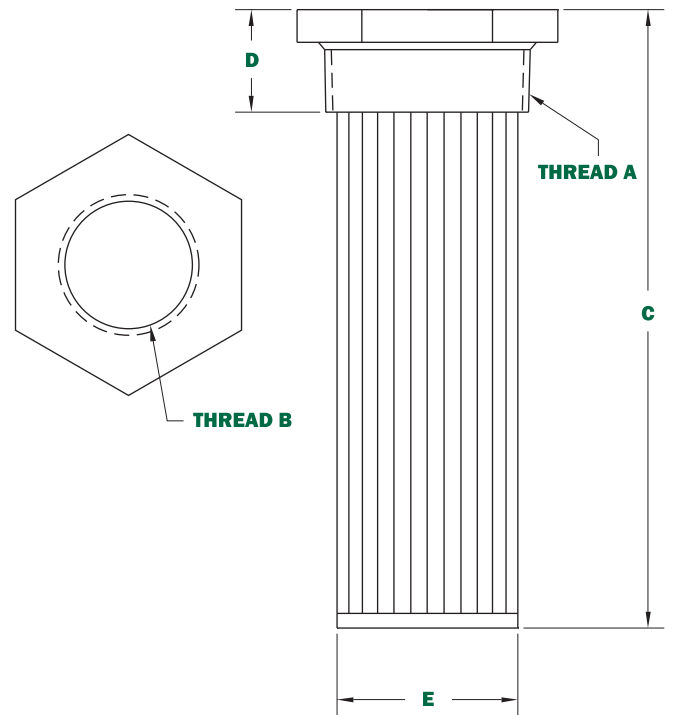
Weld flanges available (contact factory)



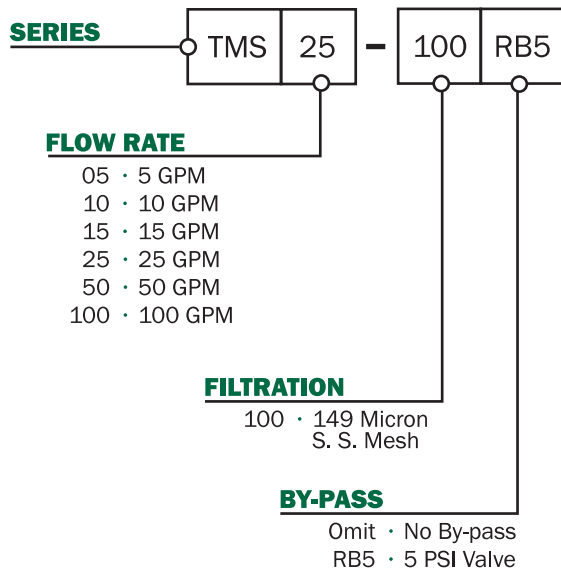
TMS SERIES

Tank Strainer NPT Thread Style

DIMENSIONS



ORDERING CODE



SPECIFICATIONS

MODEL NUMBER	GPM	SCREEN AREA (Sq. In.)	THD A	THD B	HEX SIZE	DIMENSIONS		
						C	D	E
TMS-05	5	35	1" NPT	1/2" NPT	1.43	5.38"	1.10"	1.18"
TMS-10	10	64	1-1/4" NPT	3/4" NPT	1.81	7.50"	1.20"	1.14"
TMS-15	15	86	1-1/2" NPT	1" NPT	2.00	8.25"	1.30"	1.65"
TMS-25	25	125	2" NPT	1-1/4" NPT	2.55	10.00"	1.30"	2.12"
TMS-50	50	260	3" NPT	2" NPT	3.30	10.25"	1.70"	3.03"
TMS-100	100	315	4" NPT	3" NPT	5.00	11.30"	1.80"	3.78"