

22 SERIES

Tank Mounted Return Line Filter Assembly

Ideally suited for power units, mobile equipment, machine tools and test equipment. Side mount capability. Excellent alternative to spin-ons when space is at a premium.



FEATURES

Cast aluminum head.

Steel bowl.

Optional 2nd inlet port.

Variety of port sizes.

Elements interchange with Schroeder "K" series.

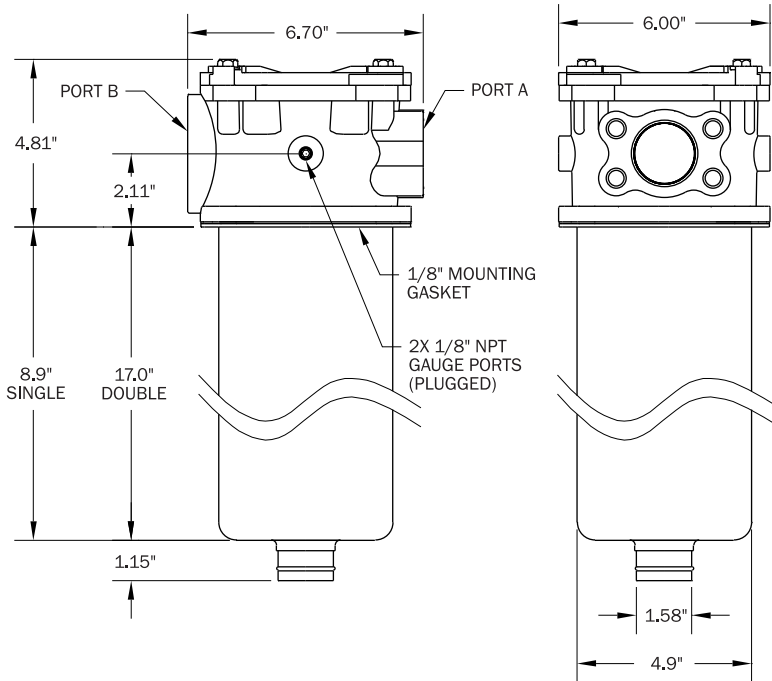
Indicator ports available.

Options: magnet, check valve, and mounting kits.

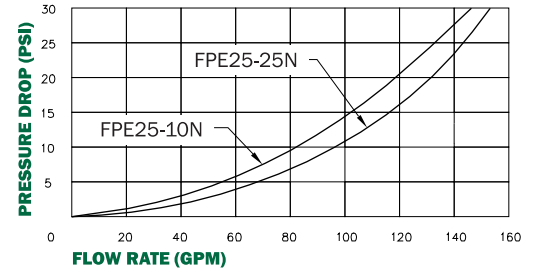
SPECIFICATIONS

Working Pressure	100 PSI (6.9 BAR)
Flow Capacity	100 GPM (378 LPM)
Operating Temperature	225° F (107° C)
Shipping Weight	Single Bowl: 10 lbs / Double: 20 lbs
Fluid Compatibility	Petroleum based oils, high water based fluids, water glycols and oil/water emulsions.
By-Pass Valve Cracking Pressure	All sizes ± 10% of setting.
By-Pass Valve	15 or 25 PSI available.
Port Size	NPT: 1-1/4", 1-1/2", 2" SAE: 20, 24, 32 Split Flange: 1-1/2" SAE

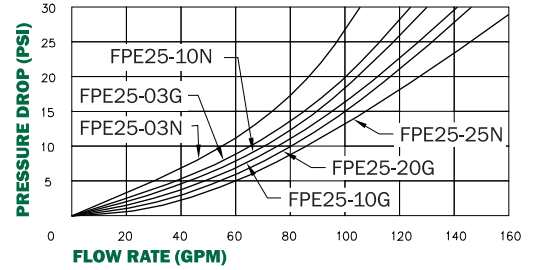
DIMENSIONS



DOUBLE ELEMENT



SINGLE ELEMENT



Clean element pressure drop using 150 SSU oil at 100°F.

PRESSURE DROP

STANDARD MODELS

MODEL NUMBER	PORT SIZE	BY-PASS	INDICATOR PORTS (2)	ELEMENT
22043110N1	1-1/4" NPT	15 PSI	1/8" NPT	10 Micron
22043125N1	1-1/4" NPT	15 PSI	1/8" NPT	25 Micron
22044110N1	1-1/4" NPT	25 PSI	1/8" NPT	10 Micron
22044125N1	1-1/4" NPT	25 PSI	1/8" NPT	25 Micron
22183110N1	SAE-20	15 PSI	1/8" NPT	10 Micron
22184110N1	SAE-20	25 PSI	1/8" NPT	10 Micron
22183125N1	SAE-20	15 PSI	1/8" NPT	25 Micron
22184125N1	SAE-20	25 PSI	1/8" NPT	25 Micron

FILTER ELEMENTS

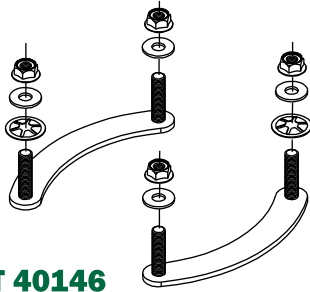
PART NUMBER	RATING B(x)=2/20/75	AREA (Sq. In.)	MEDIA TYPE
FPE25-03N	4μ/7μ/11μ	990	Cellulose
FPE25-10N	6μ/8μ/13μ	1102	Cellulose
FPE25-25N	24μ/35μ/43μ	1102	Cellulose
FPE25-03G	1.3μ/2μ/3μ	731	Microglass
FPE25-05G	2μ/3μ/5μ	731	Microglass
FPE25-10G	4μ/10μ/13μ	731	Microglass
FPE25-10W	10μ/18μ/ -	675	Water Removal

22 SERIES

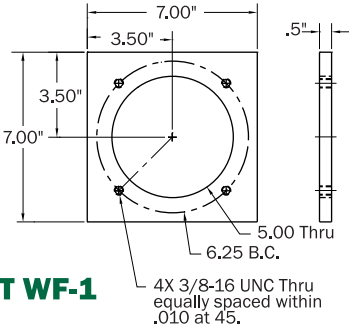


Tank Mounted Return Line Filter Assembly

MOUNTING KITS



KIT 40146



KIT WF-1

ACCESSORIES

GAUGES

- P77-7003**
0-60 PSI Gauge (Indication at 15 PSI)
- P77-7004**
0-60 PSI Gauge (Indication at 25 PSI)

SWITCHES

- P77-7006**
Electrical (with 12") wire leads .
Set point (rising) 22 PSI.
- P77-7005**
Electrical (with DIN 43650 connector)
Set Point (rising) 22 PSI.

ORDERING CODE

